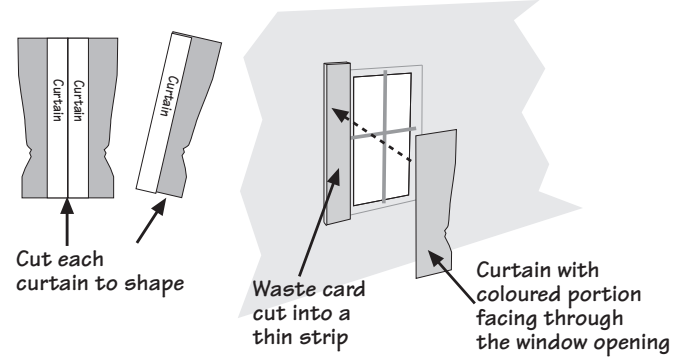


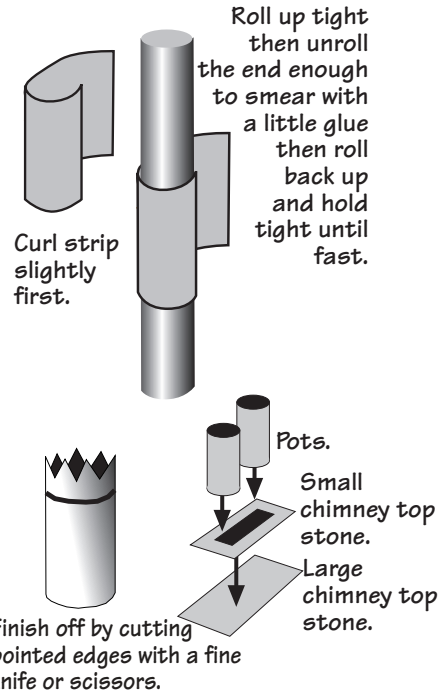
To fit curtains fix a *small strip of waste card* to each side of the window, then glue the curtain to the waste card so that it shows through the window (the waste card will space the curtain back from the window a little giving a greater effect of depth).

**OO Scale curtains**



# OO Scale chimney pots

Cut into strips then roll tightly around a nail or screw (apx. 4mm dia.) and fix the end with a tiny spot of glue.



PLEASE NOTE - once you have perfected the art of rolling your own chimney pots you will soon realise that they are extremely realistic. Much better than anything made from plastic or white metal. So please be patient & keep trying, the chimney pots make all the difference.

